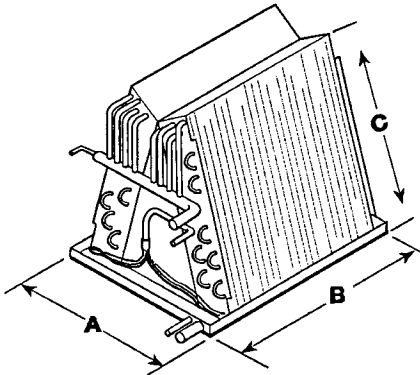


CR SERIES™

Uncased Replacement A Coils

Designed to Fit RHEEM/RUUD Air Handlers 1 1/2 - 5 Tons



Description:

The CR uncased AC and HP coil series is designed primarily as a multipurpose high efficiency replacement coil to fit many air handlers and plenums existing in the field. CR coils when properly matched with your outdoor unit will provide a capacity range from 18,000 to 60,000 BTU/HR. These units are UL & ULc listed.

Physical Dimensions

Model No.	A	B	C	Model No.	A	B	C
CR018A851A	15 15/16	19	11 1/2	CR048A6542	21 5/16	23 5/8	17 9/16
CR024A8529	15 15/16	19	14	CR048A6842	21 5/16	23 5/8	17 1/8
CR030A882J	15 15/16	19	14	CR060A685W	21 5/16	23 5/8	19 5/16
CR036A4521	15 15/16	21 1/8	14	CR060A667W	21 5/16	23 5/8	23 1/2
CR042A482N	15 15/16	21 1/8	14				
CR048A4542	19 15/16	21 1/8	17 7/16	CR048A654C2*	23 5/8	21 5/16	17 9/16
CR048A4842	19 15/16	21 1/8	17 7/16	CR048A684C2*	23 5/8	21 5/16	17 1/8

* Suffix "C" indicates crosswise coil with connections on right of wide pan dimension.
Note: Special CR coils as well as horizontal drain pan kits are required for horizontal air handler applications. Add (H) when ordering any coils to be used on horizontal applications.
Example - CR036A452(H) These special coils can also be used on vertical applications.
Note: Evaporator coils equipped with a 15%-bleed type expansion valve must be used with condensing units.

- AC and HP models.
- Check valve flowrator pistons.
- Right handed connections and drains.
- 3/4 MPT and 1/2 ODS drains.
- Upflow and counterflow applications.
- Leak tested 500 psi and factory sealed.

- Schrader port for pressure verification.
- Can be rated with most outdoor AC & HP units.
- Fits many existing air handler cavities.
- Ideal for new construction.
- Epoxy powder coated drain pans.

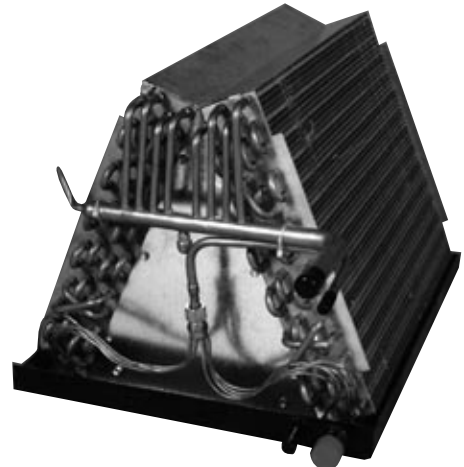
Options:

- 1 1/2 to 5 ton capacities
- Horizontal application with horizontal pan kit from RHEEM/RUUD.
- Field installed screw-in type TXV3 kit
- TDR (Time delay relays)
- Custom labels

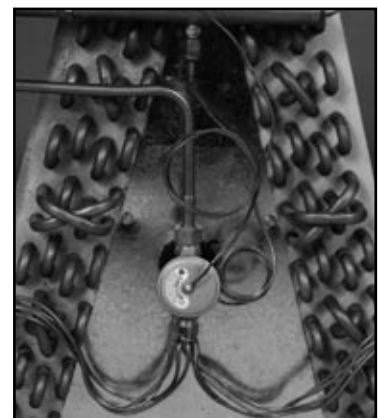
Connections:

TONS	Liquid	Suction
1 1/2 - 3	3/8	3/4
3 1/2 - 5	3/8	7/8

All Technical Specifications Subject to Change Without Notice.



CR036A454 shown



Field installed TXV3 Kit shown (Optional)



For more information contact Customer Service at (817) 624-0820 or your Summit Representative.

Summit Spec. - CR - 07/01/05

