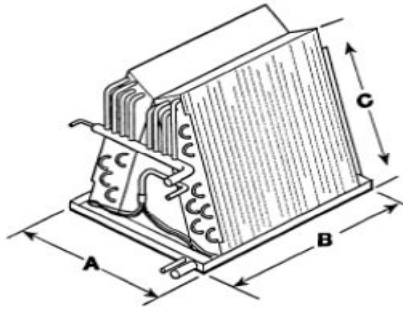


CR UNCASSED REPLACEMENT A COILS
DESIGNED TO FIT RHEEM/RUUD AIR HANDLERS 1.5 - 5 TONS

Description:

The CR uncased AC/HP replacement coil series is designed primarily as a multi-purpose high efficiency replacement coil to fit many air handlers and plenums existing in the field. CR coils when properly matched with your outdoor unit will provide a capacity range from 18,000 to 60,000 btus. These units are UL and ULc listed.



Connections:		
TONS	LIQUID	SUCTION
1.5 - 3	3/8	3/4
3.5 - 5	3/8	7/8

Physical Dimensions:

MODEL NUMBER	A	B	C	MODEL NUMBER	A	B	C
CR018A851A	15-15/16	19	11-1/2	CR048A6542	21-5/16	23-5/8	17-9/16
CR024A8529	15-15/16	19	14	CR048A6842	21-5/16	23-5/8	17-1/8
CR030A882J	15-15/16	19	14	CR060A685W	21-5/16	23-5/8	19-5/16
CR036A4521	15-15/16	21-1/8	14	CR060A667W	21-5/16	23-5/8	23-1/2
CR042A482N	15-15/16	21-1/8	14				
CR048A4542	19-15/16	21-1/8	17-7/16	CR048A654C2*	23-5/8	21-5/16	17-9/16
CR048A4842	19-15/16	21-1/8	17-7/16	CR048A684C2*	23-5/8	21-5/16	17-1/8

* Suffix "C" indicates crosswise coil with connections on right side of wide pan

SUMMIT TO RHEEM/RUUD CROSSOVER			
SUMMIT MODEL	Replaces RHEEM/RUUD	SUMMIT MODEL	Replaces RHEEM/RUUD
CR018A851A	RCAB-A021, A025	CR048A4542	RCAB-A049
	RCTB-A018 + R72DB0005 (T) RCPB-B/C018	CR048A4842	RCLB-A048 RCTB-A037, A048 + R72DB0006 (X)
CR024A8529	RCPB-B/C024	CR048A6542	RCPB-B042
	RCQB-C018 + R72DB0005 (T)		RCEB-A049
CR030A882J	RCLB-A024	CR048A6842	RCMB-A048, A060
	RCTB-A024 + R72DB0005 (T)		RCTB-B060 + R72DB0006 (X)
	RCPB-B/C027		RCPB-B/C048
CR036A4521	RCQB-C024 + R72DB0005 (T)	CR060A685W	RCQB-C042 + R72DB0006 (X)
	RCAB-A031, A037	CR060A667W	RCPB-B/C060
RCPB-B/C036	RCQB-C048, C060 + R72DB0006 (X)		
CR042A482N	RCLB-A030, A036	CR048A6542C	RCAB-A059
	RCTB-A025, A036 + R72DB0005 (T)	CR048A6842C	RCLB-B048, A060
	RCPB-B/C039		RCTB-A068 + R72DB0006 (X)
	RCQB-C030, C036 + R72DB0005 (T)		

(T)R72DB0005 = 1.5 - 3 TON R-22 TXV (X) R72DB0006 = 3.5 - 5 TON R-22 TXV

Features:

- * Bi-flow pistons
- * Right hand connections and drains
- * 3/4" MPT drains
- * Upflow and downflow applications
- * Leak tested and factory sealed
- * Schrader port for pressure verification
- * Fits many existing air handler cavities
- * Epoxy powder coated drain pans

Options:

- * 1.5 - 5 ton capacities
- * Custom labels
- * Horizontal application with existing Rheem/Ruud drain pan

ALL TECHNICAL SPECIFICATIONS SUBJECT TO CHANGE WITHOUT NOTICE



Form: SUMMIT-CR-120803

For more information contact Customer Service 817-624-0820 or customerservice@mortx.com

501 Terminal Road Fort Worth, Texas 76106 Ph: 817-624-0820 Fx: 817-624-8581